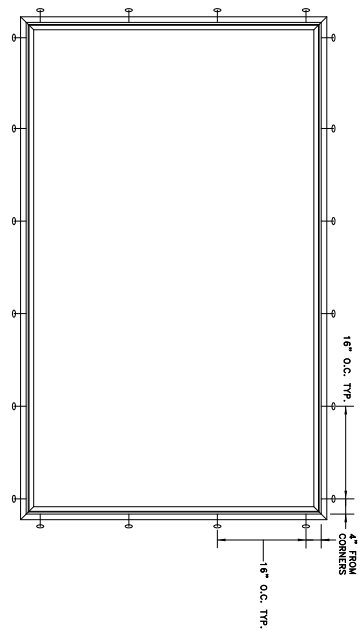
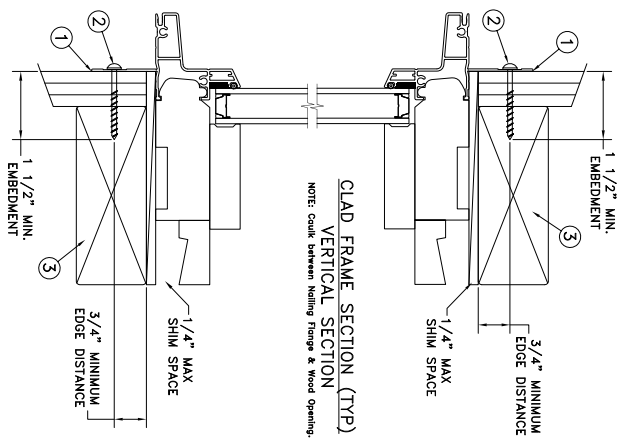


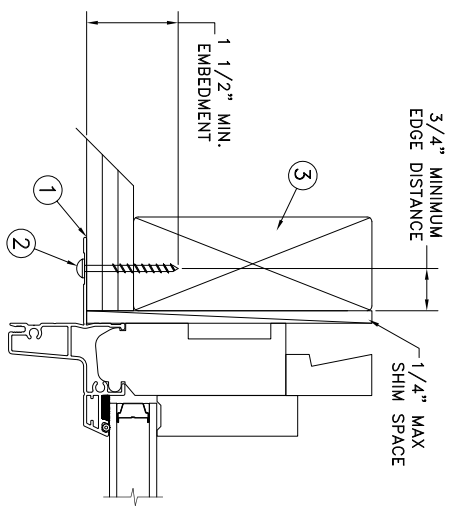
NAILFIN INSTALLATION



TYPICAL ELEVATION WITH FASTENER SPACING



CLAD VERTICAL SECTION (TYP)
NOTE: Caulk between Nailing Flange & Wood Opening.



FRAME JAMB SECTION (TYP)
HORIZONTAL SECTION
NOTE: Caulk between Nailing Flange & Wood Opening.

Max Frame	DP	IMPACT
120 x 72	+50/-55	NO

- Installation Notes:**
1. Seal flange/frame to substrate.
 2. Use #8 PH or greater fastener through the nailfin on all sides with sufficient length to penetrate a minimum of 1 1/2" into the wood framing. For 2x wood frame substrate (min. S.G. = 0.42)
 3. Host structure (wood buck, masonry, steel) to be designed and anchored to properly transfer all loads to the structure. The host structure is the responsibility of the architect or engineer of record for the project of installation.

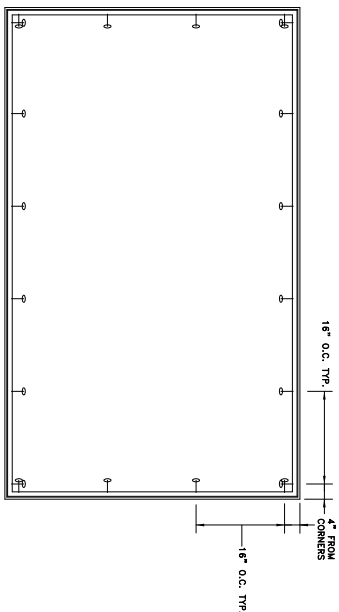
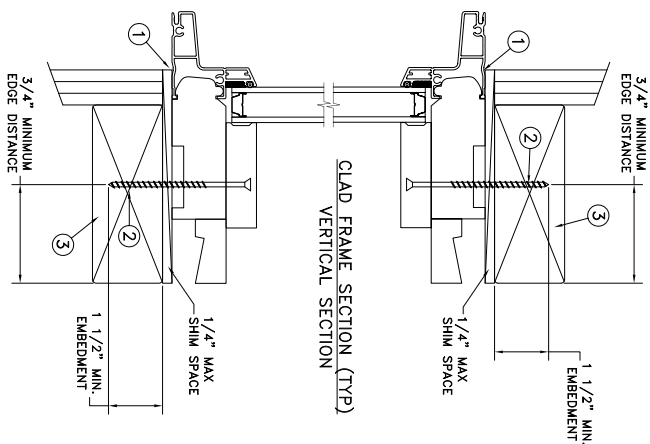
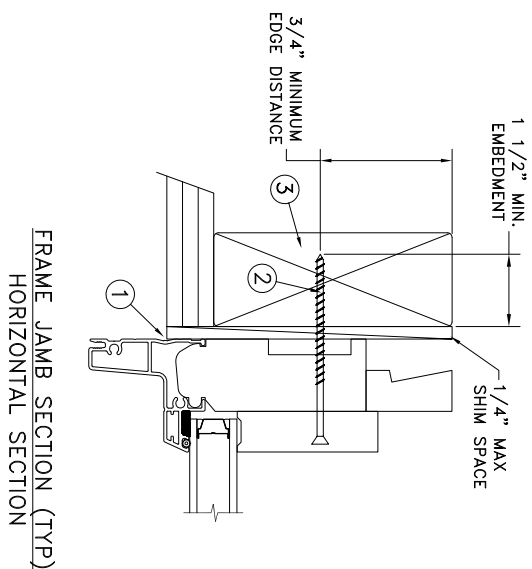
- General Notes:**
1. The product shown herein is designed, tested and manufactured to comply with the wind load criteria of the adopted International Building Code (IBC), the International Residential Code (IRC), the Florida Building Code (FBC) and the industry requirement for the stated conditions.
 2. All glazing shall conform to ASTM E1300.
 3. At minimum, glazing shall be double strength annealed insulating glass.
 4. Use structural or composite shims where required.

This schedule addresses only the fasteners required to anchor the window to achieve the rated design pressure and impact performance (where applicable) up to the size limitations noted. It is not intended as a guide to the installation process and does not address the sealing consideration that may arise in different wall conditions. For the complete installation procedure, see the instructions packaged with the window or go to www.jeld-wen.com/resources/installation.

DISCLAIMER:
This drawing and its contents are confidential and are not to be reproduced or copied in whole or in part or used or disclosed to others except as authorized by JELD-WEN Inc.

PROJECT ENGINEER:	DATE:	12/11/2017
DRAWN BY:	SCALE:	NTS
J.HAWKINS	CHECKED BY:	K.CAMPBELL
APPROVED BY:	D.TOKES	
PART/PROJECT NO.:	D012089	
IDENTIFIER NO.:		
PLANT NAME AND LOCATION:	Hawkins-WI	
CAD DWG. NO.:	StellneqCladSet Cert	REV: A
		SHEET
<p>JELD-WEN 3737 LAKEPORT BLVD. KLAMATH FALLS OR, 97601 PHONE: (800) 535-3936</p> <p>Steline Clad Direct Set Window</p>		

THROUGH FRAME
INSTALLATION



- Installation Notes:**
1. Seal flange/frame to substrate.
 2. Use #8 PH or greater fastener through the jamb on all sides with sufficient length to penetrate a minimum of 1 1/2" into the wood framing. For 2x wood frame substrate (min. S.G. = 0.42)
 3. Host structure (wood buck, masonry, steel) to be designed and anchored to properly transfer all loads to the structure. The host structure is the responsibility of the architect or engineer of record for the project of installation.

- General Notes:**
1. The product shown herein is designed, tested and manufactured to comply with the wind load criteria of the adopted International Building Code (IBC), the International Residential Code (IRC), the Florida Building Code (FBC) and the industry requirement for the stated conditions.
 2. All glazing shall conform to ASTM E1300.
 3. At minimum, glazing shall be double strength annealed insulating glass.
 4. Use structural or composite shims where required.

Max Frame	DP	IMPACT
120 x 72	+50/-55	NO

This schedule addresses only the fasteners required to anchor the window to achieve the rated design pressure and impact performance (where applicable) up to the size limitations noted. It is not intended as a guide to the installation process and does not address the sealing consideration that may arise in different wall conditions. For the complete installation procedure, see the instructions packaged with the window or go to www.jeld-wen.com/resources/installation.

DISCLAIMER:

This drawing and its contents are confidential and are not to be reproduced or copied in whole or in part or used or disclosed to others except as authorized by JELD-WEN Inc.

PROJECT ENGINEER:		DATE:	3737 LAKEPORT BLVD.	
DRAWN BY:		SCALE:	KLAMATH FALLS OR, 97601	
CHECKED BY:		TITLE:	PHONE: (800) 535-3936	
APPROVED BY:		<p align="center">JELD-WEN</p> <p align="center">Steline Clad Direct Set Window</p>		
PART/PROJECT NO.:				
IDENTIFIER NO.:				
PLANT NAME AND LOCATION:		CAD DWG. NO.:	REV:	SHEET
Hawkins-WI		StelineCladDirectSet Cert	A	